



# LXE Spark

Lithium Forklift Truck



### CAPACITY

3700lbs. at 24" load center to 130" with integral sideshift as standard equipment

Triple stage wide view masts deliver maximum lift heights of up to 197"

### BATTERY

**UL recognized** 48v 360AH Li-Ion battery  
Capable of fast charging, without gassing or need for maintenance or eye wash stations.  
Connector: Rema DIN 320

### PERFORMANCE

#### TRAVEL

8.75 mph empty  
8.50 mph loaded

#### LIFT

Up to 83 fpm empty  
Up to 55 fpm loaded

#### LOWERING

Up to 85 fpm empty.  
Up to 88 fpm loaded

### TIRES

Front  
17.75" x 8" solid pneumatic  
Rear  
17.25" x 4.5" solid pneumatic

### OPERATOR COMPARTMENT

Operators compartment is exceptionally spacious due to purpose-built design for an integrated lithium battery. Ergonomic controls are provided for lift, lower, tilt, and sideshift which are within easy reach of the operator. Visibility is excellent through the wide view mast. Power steering with assist knob, adjustable steering column & adjustable suspension seat ensures comfortable working position and reduced fatigue during operation.

Large mirror and overhead guard mounted hand rail aids operator when driving the in the reverse direction of travel.

LCD programmable display communicates travel speed, battery discharge information, hour meter, and fault codes.

### HYDRAULICS

Hydraulic lift and drive components are sealed against dirt and water protecting them from contamination. Optional 4th valve, with control and hosing is available to support two function attachments.

### ELECTRICAL

48v AC controller technology delivers high efficiency and performance while significantly reducing maintenance cost and extending vehicle service life.

Vehicle features **weather resistant** components and construction to facilitate limited use in outdoor environments.

Battery management system monitors lithium battery performance during operation and charging to help extend battery service life up far longer than traditional lead acid industrial batteries.

### DRIVE UNIT AND BRAKES

AC Drive motor delivers smooth torque and speed performance matched to vehicle needs in real time for peak efficiency and performance.

Regenerative neutral braking extends duty-cycle. Vehicle's electromagnetic brakes and lever actuated parking brake ensure effective stopping power during operation and when on rated grades.

### FRAME AND MAST

Heavy duty steel chassis features long wheel-base, wide tires and low center of gravity for stable operation. Wide view mast includes an integral side-shift and load back rest (LBR). High seating position gives the operator an excellent view for efficient load handling at ground level and elevation.

### SERVICEABILITY

On-board programmable LCD display allows for troubleshooting and system adjustments without need of tools. Units come pre-wired for optional telematics system that includes cloud based maintenance monitoring, GPS tracking and related data services.

### STANDARD EQUIPMENT

- Headlights and brake Lights
- Turn signals & back up alarm
- Solid pneumatic tires
- Integral sideshift
- USB accessory charging port
- Reverse travel grab handle with horn
- 480v three phase or 120v charger

### OPTIONAL EQUIPMENT

- 4th hydraulic valve, control and hosing
- Hang-on sideshift in lieu of integral
- Sideshifting fork positioner
- IP54 package (Coming July 2021)
- Telematics package (Coming July 2021)
- Fully enclosed cab (Coming July 2021)

**5 year**  
**10,000 hr**  
Lithium battery warranty

Subject to terms and conditions

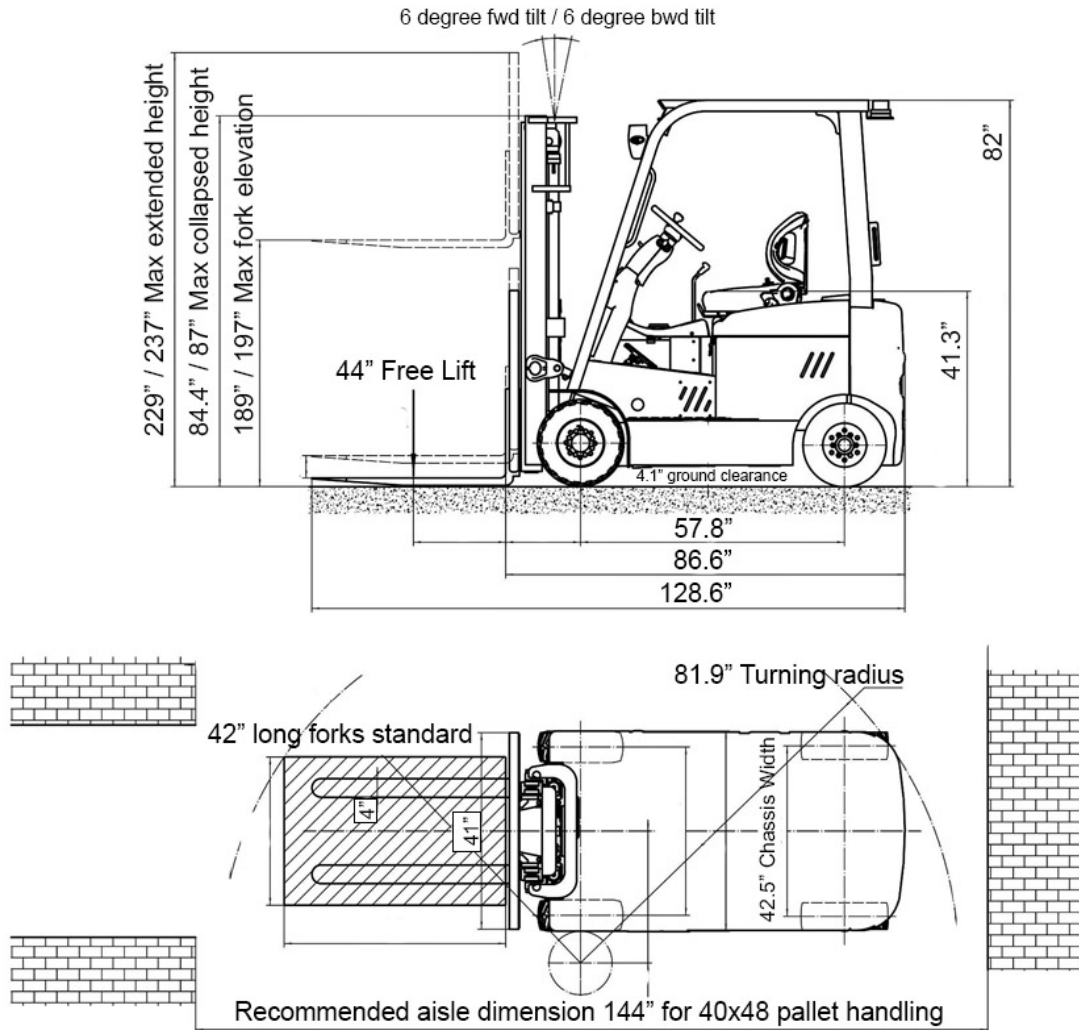
### Fast charge, clean power, low cost

- 4-4.5 hour run time with up to 1% recharge every 80 seconds
- No fumes, watering, or eye wash stations required
- Lowest operating cost of any general purpose forklift

### LXE37 Spark Rated CAPACITY

3700lbs. to 130" @ 24" LC  
 2500lbs. to 189"/197" @ 24" LC

**Gradeability:** 10.5% Loaded  
 14% Unloaded



Model #	Mast	Lift Height	Col Height	Free Lift		Extended Height		<sup>3</sup> Weight (lbs)
				Without Backrest	With Backrest	Without Backrest	With Backrest	
				C		D		
3700lbs capacity @ 24" load center to 130" with integral sideshift, 2,500lbs capacity to 189"/197"								
LXE37-189	Three Stage	189	84.4	65.0	44.0	208	229	7370
LXE37-197	Three Stage	197	87.0	67.5	46.5	216	237	7420

**Revolutionize your operations with the next generation of power technology**