

S3019E

ELECTRIC DRIVE SLAB SCISSOR LIFT



- Revolutionary design that redefines the electric scissor lift
- All-electric drive and steering – no hydraulic hoses
- Features a sunken scissor stack for low platform step-in height
- Drives through a standard door way without folding handrails
- Zero inside turning radius for maximum maneuverability



snorkelTM
www.snorkellifts.com

ELECTRIC DRIVE SLAB SCISSOR LIFT

S3019E

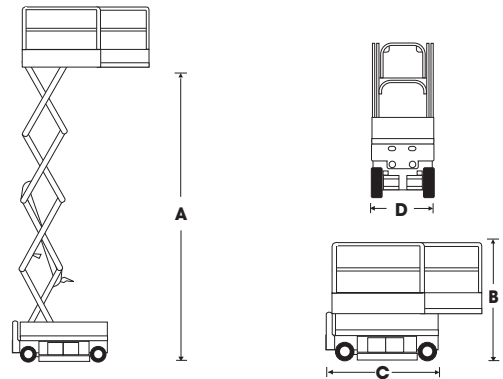
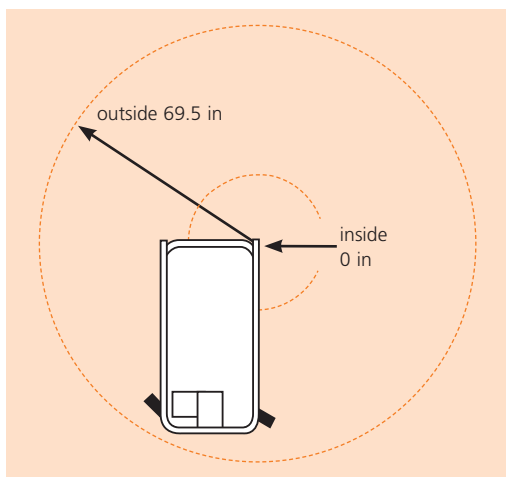
DIMENSIONS	S3019E
Max. working height	25 ft
Max. platform height (A)	19 ft
Platform size (stowed)	24 in x 64.5 in
Platform size (extended)	24 in x 100.5 in
Deck extension length	36 in
Overall length (C) (with step)	75 in
Overall width (D)	30.5 in
Stowed height (B)	69.1 in
Ground clearance (stowed)	3 in
Ground clearance (elevated)	0.6 in

PERFORMANCE	
Platform capacity (SWL)	550 lbs
Max. wind speed	28 mph
Max. drive height	19 ft
Max. drive speed (stowed)	1.5 mph
Max. drive speed (elevated)	0.5 mph
Raise/lower time	30/44 sec
Gradeability	25%
Inside turning radius	0 in
Outside turning radius	69.5 in
Tires	12.75 x 4 non-marking solid rubber
Controls	proportional
Drive system	2-wheel electric drive

POWER	
Power source	24V DC battery electric
Charger	90 - 240V, 25amp

WEIGHT	
Weight	3,485 lbs

TURNING RADIUS



STANDARD FEATURES

- All electric drive
- Electric steer
- No hydraulic hoses
- Roll-out deck extension with dual locks
- Zero inside turning radius
- Non-marking tires
- Swing-out service trays
- Saloon-door style entry gates
- Descent alarm
- All motion alarm
- 2 persons indoor
- 1 person outdoor
- Proportional controls, including descent
- Power line to platform
- Flashing amber light
- Hour meter & on-board diagnostics display
- Integrated battery charger
- Battery condition indicator
- Crane & forklift points
- Dual lanyard attachments points
- 2 year parts & labor, 5 year structural warranty
- ANSI compliant

OPTIONS

- Special paint colors
- Airline to platform
- Environmental hydraulic oil
- Snorkel OnSite™ telematics

snorkel www.snorkellifts.com

P.O. Box 1160
 St. Joseph, MO 64502-1160, USA
 Tel: 1 (785) 989-3000
 Toll-free: 1 (800) 255-0317
 Fax: 1 (785) 989-3070
 Email: sales.usa@snorkellifts.com