

Specifications

| Model | GTH™-5519 | |
|---|-------------|-------------|
| Measurements | US | Metric |
| Maximum lift height | 18 ft 10 in | 5.74 m |
| Maximum forward reach | 11 ft 3 in | 3.43 m |
| Reach at maximum height | 1 ft 10 in | 0.56 m |
| A Height, stowed | 6 ft 6 in | 1.98 m |
| B Length, stowed (without forks) | 12 ft 3 in | 3.73 m |
| Width | 5 ft 11 in | 1.80 m |
| C Wheelbase | 7 ft 6 in | 2.29 m |
| D Ground clearance, center | 1 ft 2 in | 0.36 m |
| E Ground clearance, axle | 10 in | 0.25 m |
| Fork cross section | 1.6 x 4 in | 40 x 100 mm |

Productivity

| | | |
|---------------------------------|----------------------|-----------|
| Maximum lift capacity | 5,500 lbs | 2,495 kg |
| Lift capacity at maximum height | 4,400 lbs | 1,996 kg |
| Lift capacity at maximum reach | 1,900 lbs | 862 kg |
| Drive speed | 15 mph | 24.1 km/h |
| Draw bar pull | 10,250 lbs | 4,649 kg |
| Break out force | 8,100 lbs | 3,674 kg |
| Turning radius, outside (4WS) | 11 ft | 3.35 m |
| Auxiliary hydraulic flow | 17 gpm | 64 lpm |
| Auxiliary hydraulic pressure | 3,918 psi | 270 bar |
| Tires, standard size | 12 x 16.5 in, 10 ply | |

Power

| | | |
|------------------------------------|---|--------|
| Power source | Deutz TD 2.9 L04 Tier 4f diesel 74 hp (55.4 kW) | |
| Electrical system | System voltage 12 volt Alternator 95 amp Battery 720 CCA at 0°F (-18°C) | |
| Hydraulic tank capacity | 18.5 gal | 70 L |
| Hydraulic system capacity (w/tank) | 31.7 gal | 120 L |
| Fuel tank capacity | 15.8 gal | 59.8 L |

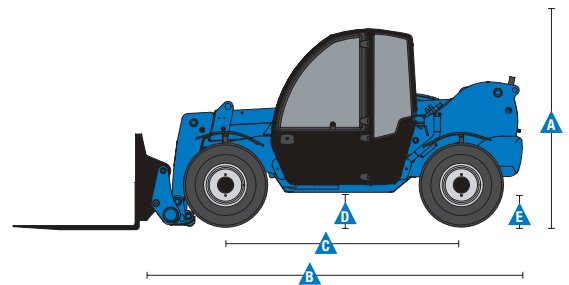
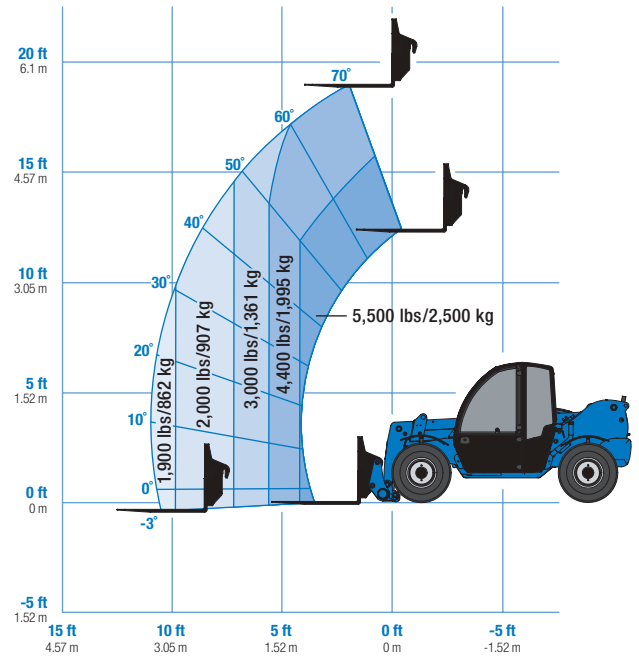
Weight*

| | | |
|--|------------|----------|
| | 10,360 lbs | 4,700 kg |
|--|------------|----------|

Standards Compliance

ANSI/ITSDF B56.6, CSA B335

Load Chart GTH™-5519**



* Weight will vary depending on options and/or country standards.

** Load ratings vary depending on attachment.

Features

Standard Features

Measurements

- 5,500 lb (2,500 kg) maximum lift capacity
- 18 ft 10 (5.74 m) maximum lift height
- 11ft 3in (3.43m) maximum reach

Productivity

- Full time 4WD
- 4WS
- Operator selectable front, crab, coordinated steering modes
- Auxiliary hydraulic circuit
- Proportional, reversible, continuous auxiliary hydraulic flow control
- Genie manual Quick-Attach™ system
- Power assisted steering
- Variable speed hydrostatic drive
- Limited slip front axle differential
- Inboard wet disc service brakes
- Wet disc spring applied parking brake
- 12 x 16.5 in, air-filled rough terrain tires
- Fenders (set of 4)
- ROPS/FOPS canopy
- Single multi-function proportional joystick
- Tilt steering column
- Illuminated gauge and switch panels
- Full gauge cluster with engine diagnostics
- Machine level indicator
- Right-side screen guard
- Boom angle indicator
- Reverse motion alarm
- 3 in (7.6 cm) retractable seat belt
- Lift shackle at boom tip
- Telematics ready

Options & Accessories

Productivity Options

- Fully enclosed cab (includes full glass, heater, defroster, wipers, washer and split door)
- Fully enclosed cab with air conditioner
- Adjustable suspension seat
- Flashing beacon
- Work lights (High output LED cab, boom and rear)
- Road lights (High output LED 2 front mounted, 1 backup, 2 rear stop/turn/tail)
- Rear proximity alarm
- Fire extinguisher

Engine Options

- Deutz TD 2.9 L04 Tier 4i diesel 74 hp (55.4 kW)
- Oil pan heater

Tire Options

- 12 x 16.5 in, solid rough terrain tires
- 12 x 16.5 in, foam-filled rough terrain tires

Attaching System Options

- Universal skid steer adapter
- Hydraulic Quick-Attach™ system

Attachment Options

Options & Accessories

- Carriages
 - 48 in (1.22 m) side shift carriage, +/- 5 in (12.7 cm)
 - 48 in (1.22 m) rotating fork carriage, +/- 14°
- Forks
 - 60 in (1.52 m) pallet forks (set of two) 2 x 4 x 60 in (.05 x .10 x 1.52 m)
- Buckets
 - 66 in bucket with bolt-on cutting edge, .50/.65 yd3 struck/heaped
 - 78 in, .68 yd3 scrap grapple bucket
- 6 ft truss boom
- Universal skid steer adapter



Genie United States

6464 185th Ave. NE
Redmond, WA 98052
Telephone +1 (425) 881-1800
Toll Free in USA/Canada +1 (800)-536-1800
Fax +1 (425) 883-3475

Distributed By:

